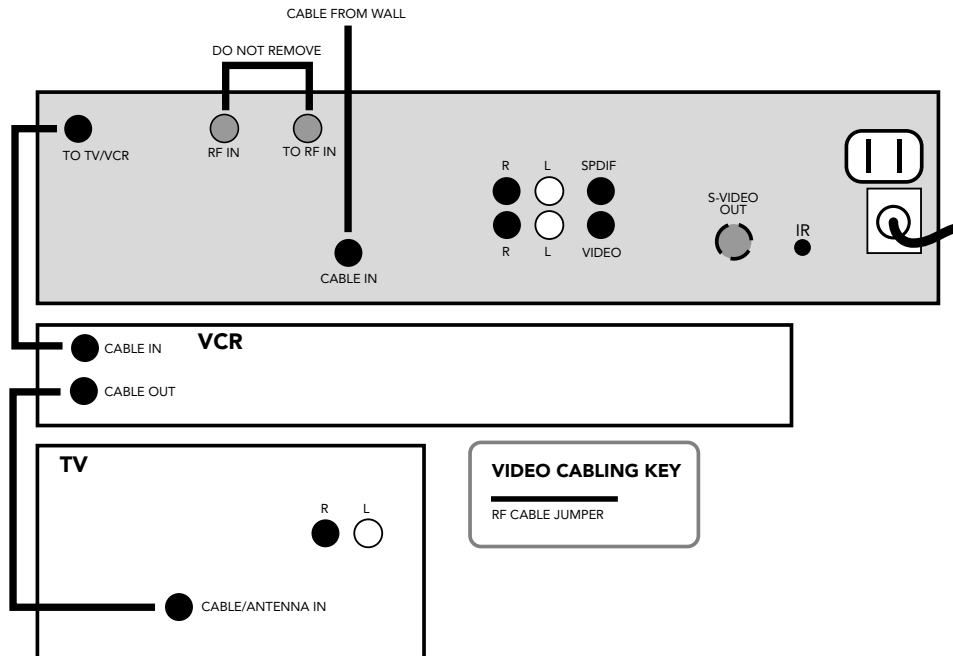


DIGITAL TUNER WITH VCR

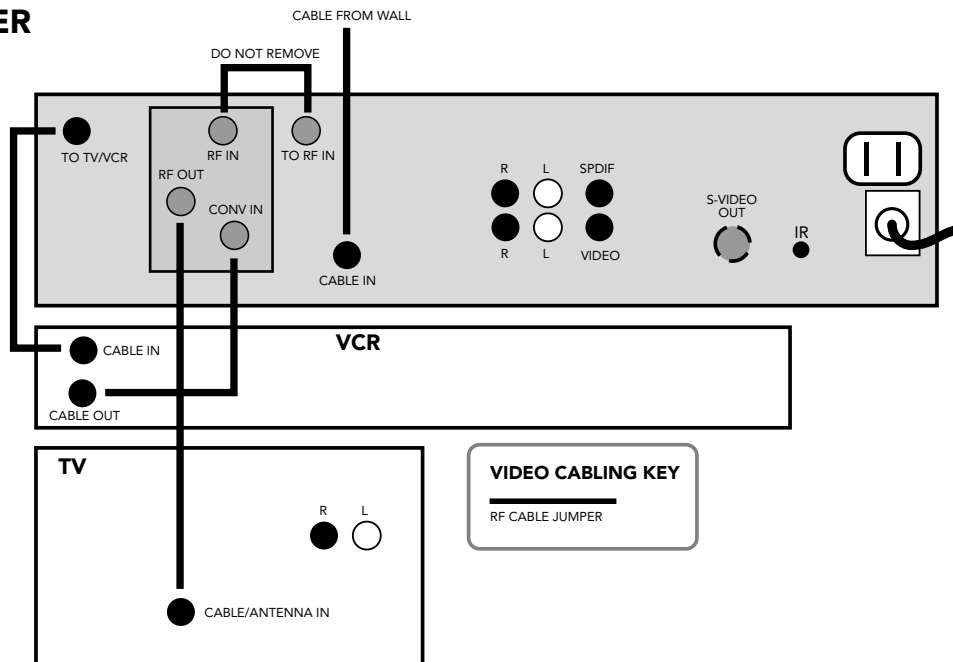


DIGITAL TUNER RF BYPASS

The RF Bypass setup is only available on converters with RF Bypass connections.

Standard issue with the Digital Tuner are three RF cable jumpers with the RF bypass attachment and two without the RF Bypass attachment.

Customers have the option to purchase other types of video and audio cables.



Buckeye CableSystem Tuner Connection and Setup

See inside and back panels for TUNER CONNECTION DIAGRAMS.

Allow 15 – 30 minutes after connecting your tuner to set these features.

AUTO TUNE

By setting the auto tune to YES, you are not required to enter 3 digits, press select, or OK after entering numbers on the remote. Follow these steps to set your AUTO TUNE:

- Press Menu on your remote twice.
- Navigate the yellow oval, by pressing the arrow keys in the center of your remote, to the SETUP option and press the Select or OK button.
- Press the Select or OK button again on the GUIDE SETUP option.
- Navigate the yellow oval down, by pressing the arrow button pointing down in the center of your remote, next to the CHANNEL ENTRY BEHAVIOR.
- By pressing the left arrow button the feature will switch from off to on.
- Once the AUTO TUNE feature is on, press the exit button. Your auto tune feature is now set.

TIME DISPLAY

Displays the current time on the front of the terminal. To setup your TIME DISPLAY, follow these steps:

- Press Menu on your remote control twice.
- Navigate the yellow oval, by pressing the arrow keys in the center of your remote, to the SETUP option and press the Select or OK button.
- Navigate the yellow oval down, by pressing the arrow button pointing down in the center of your remote, to the CABLE BOX SETUP option and press the Select or OK button.

- By pressing the right arrow button the FRONT LED DISPLAY feature will switch from the current channel to the current time.
- Once the TIME is on, press the exit button. Your time display feature is now set.

RF BYPASS

Setting the RF BYPASS feature will enable you to watch a program on one channel while recording to a VCR from another channel. To setup your RF BYPASS follow these steps:

- Press Menu on your remote control twice.
- Navigate the yellow oval, by pressing the arrow keys in the center of your remote to the SETUP option and press the Select or OK button.
- Navigate the yellow oval down, by pressing the arrow button pointing down in the center of your remote, to the CABLE BOX SETUP option and press the Select or OK button.
- Navigate the yellow oval down, by pressing the arrow button pointing down in the center of your remote, next to the RF BYPASS feature. By pressing the right arrow button the RF BYPASS feature will switch off to on.
- Once the RF BYPASS is on, press the exit button. Your RF BYPASS is now set.

For more information about the interactive guide for your digital cable visit TV Guide's website at <http://tvguide.com>.

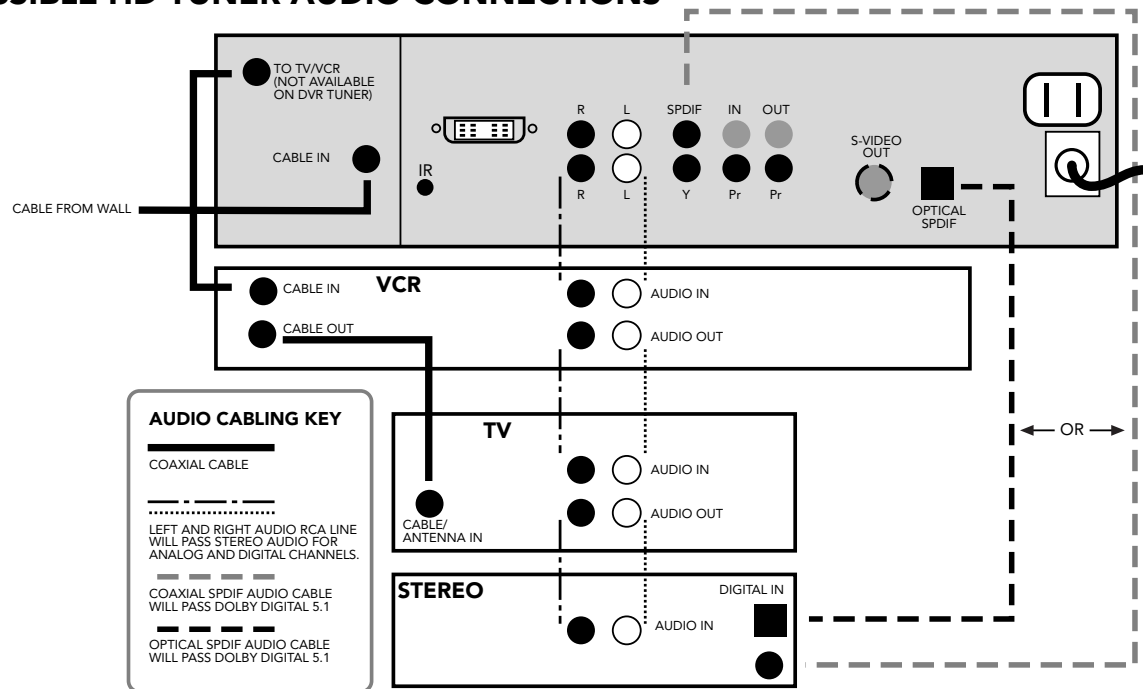


Buckeye CableSystem

NW Ohio: 419.724.9800
SE Michigan: 800.866.3260
Erie County: 419.627.0800

buckeyecablesystem.com.

POSSIBLE HD TUNER AUDIO CONNECTIONS



POSSIBLE HD TUNER VIDEO CONNECTIONS

